

REPORT NO. 02: TITLE OF THE LAB REPORT

COURSE CODE: CSE
COURSE TITLE: TITLE OF THE COURSE

Submitted by

STUDENT1 NAME (Student1 ID)

STUDENT2 NAME (Student2 ID)

STUDENT3 NAME (Student3 ID)

Submitted to

Dr. FIRST LAST, Associate Professor

Dr. FIRST LAST, Assistant Professor



Computer Science and Engineering
Jahangirnagar University

Dhaka, Bangladesh

September 10, 2020

Contents

List of Figures	iii
List of Tables	iii
List of Algorithms	iii
Abstract	iv
1 OBJECTIVE	1
1.1 Objectives	1
1.2 Expected Outcomes	2
2 EQUIPMENT USED	2
3 PROCEDURE	2
4 DATA	3
5 OBSERVATIONS AND DISCUSSIONS	3
6 QUESTIONS	4
7 CONCLUSIONS	4
7.1 Conclusions	4
7.2 Future Prospects of Our Work	4
References	5

List of Figures

2.1	Example Figure	2
-----	--------------------------	---

List of Tables

5.1	Experimental result for Multipath Propagation (Band pass filter)	4
-----	--	---

List of Algorithms

1	Query Algorithm	3
---	---------------------------	---

Abstract

Write Abstract in pages/abstract.tex

Latex Source code for JU CSE Report Please read following instructions

Chapters –: Add your report contents here

figures –: Add your figures here

pages –: Add abstract, acknowledgement, and References

parameters –: In this folder you can add your thesis information like author's name, ID, degree, session, supervisor name

ju_cse_report.sty –: For changing this report template Here, you can change Page type, margin, font type, size, line spacing and glossaries etc.

ju_cse_report_Ref.bib –: Add your references here

report.tex –: change organization of the book

1. OBJECTIVE

Filename: chapters/Objective.tex

The following sections are examples.

P-n junctions are formed by joining n-type and p-type semiconductor materials. Since the n-type region has a high electron concentration and the p-type a high hole concentration, electrons diffuse from the n-type side to the p-type side. Similarly, holes flow by diffusion from the p-type side to the n-type side.

$$E = mc^2 \tag{1.1}$$

The equation 1.1 states mass equivalence relationship.

1.1 Objectives

The objectives are:

- To understand the concept and working of *PN* junction diode.
- To obtain **V-I** characteristics of *PN* junction diode.

1.2 Expected Outcomes

From the proposal

2. EQUIPMENT USED

Filename: chapters/EQUIPMENT_USED.tex

EQUIPMENT USED chapter [1]. Add sections as necessary.

Section text. Figure 2.1.

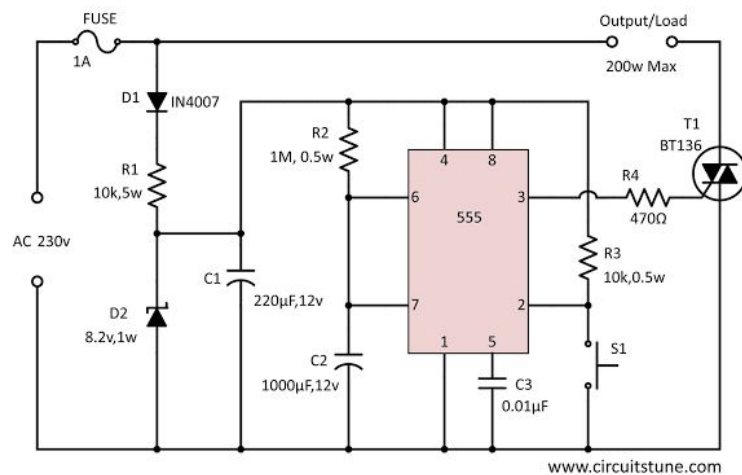


Figure 2.1: Example Figure

3. PROCEDURE

Filename: chapters/PROCEDURE.tex

In this chapter, we discuss the proposed system...

Algorithm 1 Query Algorithm

Input: $n \geq 0$

Output: $y = x^n$

```
1:  $y \leftarrow 1$ 
2:  $X \leftarrow x$ 
3:  $N \leftarrow n$ 
4: while  $N \neq 0$  do
5:   if  $N$  is even then
6:      $X \leftarrow X \times X$ 
7:      $N \leftarrow \frac{N}{2}$  {This is a comment}
8:   else if  $N$  is odd then
9:      $y \leftarrow y \times X$ 
10:     $N \leftarrow N - 1$ 
11:   end if
12: end while
```

4. DATA

Filename: chapters/DATA.tex

DATA chapter. Citation example [2].

Add the references in ju_cse_electronics_lab_report_Ref.bib files in bibtex format.

5. OBSERVATIONS AND DISCUSSIONS

Filename: chapters/OBSERVATIONS_AND_DISCUSSIONS.tex

In this chapter, we are going to mention our observations...

Table 5.1: Experimental result for Multipath Propagation (Band pass filter)

f	$V_2(mV)$	(I.L)dB
500 Hz	1520	-13.27
1000 Hz	1320	-14.49
1200 Hz	1260	-14.89
1400 Hz	1120	-15.92
1600 Hz	1280	-14.76
1800 Hz	1310	-14.56
2000 Hz	1450	-13.67
2500 Hz	1490	-13.44
3000 Hz	1510	-13.32
5000 Hz	1650	-12.55

6. QUESTIONS

Filename: chapters/QUESTIONS.tex

7. CONCLUSIONS

Filename: chapters/CONCLUSIONS.tex

7.1 Conclusions

7.2 Future Prospects of Our Work

References

- [1] OpenCV. (2015) Open source computer vision library. [Online]. Available: <https://github.com/opencv/opencv>
- [2] I. Rida, N. Almaadeed, and S. Almaadeed, “Robust gait recognition: a comprehensive survey,” *IET Biometrics*, vol. 8, no. 1, pp. 14 – 28, January 2019.