

Sample Report Title

A Major Project Report

Submitted to the Rajasthan Technical University

in partial fulfillment of requirements for the award of degree

Bachelor of Technology

in

Electrical Engineering

by

Abrar Ahmed chhipa

22ETCEX001



**DEPARTMENT OF ELECTRICAL ENGINEERING
TECHNO INDIA NJR INSTITUTE OF TECHNOLOGY**

UDAIPUR, RAJASTHAN

December 2021

DEPARTMENT OF ELECTRICAL ENGINEERING
TECHNO INDIA NJR INSTITUTE OF TECHNOLOGY UDAIPUR,
RAJASTHAN
2021 - 21



CERTIFICATE

This is to certify that the report entitled **Sample Report Title** submitted by **Abrar Ahmed chhipa** (22ETCEX001), to Department of Electrical Engineering in partial fulfillment of the B.Tech. degree in **Electrical Engineering** is a bonafide record of the seminar work carried out by him under our guidance and supervision. This report in any form has not been submitted to any other University or Institute for any purpose.

Dr. Abrar Ahmed Chhipa
(Project Guide)
Assistant Professor
Dept.of EE
Techno India NJR Institute
of Technology
Udaipur, Rajasthan

Mr. Rajkumar Soni
(Project Coordinator)
Assistant Professor
Dept.of EE
Techno India NJR Institute
of Technology
Udaipur, Rajasthan

Dr. Prakash Bahrani
Professor and Head
Dept.of EE
Techno India NJR Institute of Technology
Udaipur, Rajasthan

DECLARATION

I Abrar Ahmed chhipa hereby declare that the major project report **Sample Report Title**, submitted for partial fulfillment of the requirements for the award of degree of Bachelor of Technology of the Rajasthan Technical University, Kota, Rajasthan is a bonafide work done by me under supervision of Dr. Abrar Ahmed Chhipa

This submission represents my ideas in my own words and where ideas or words of others have been included, I have adequately and accurately cited and referenced the original sources.

I also declare that I have adhered to ethics of academic honesty and integrity and have not misrepresented or fabricated any data or idea or fact or source in my submission. I understand that any violation of the above will be a cause for disciplinary action by the institute and/or the University and can also evoke penal action from the sources which have thus not been properly cited or from whom proper permission has not been obtained. This report has not been previously formed the basis for the award of any degree, diploma or similar title of any other University.

Udaipur

Abrar Ahmed chhipa

21-12-2021

Abstract

This document contains essential templates required to write technical reports using \LaTeX . This template may be used for the preparation of B.Tech seminar reports of Rajasthan Technical University, Kota, Rajasthan. Also minimum working examples to create equations, include figure, include table, table of contents symbols list and bibliographic citation in a \LaTeX document are provided.

Please note that this template is provided without warranty on an AS IS basis.

Acknowledgement

I take this opportunity to express my deepest sense of gratitude and sincere thanks to everyone who helped me to complete this work successfully. I express my sincere thanks to **Dr. Prakash Bahrani**, Head of Department, Electrical Engineering, Techno India NJR Institute of Technology Udaipur for providing me with all the necessary facilities and support.

I would like to express my sincere gratitude to **Mr. Rajkumar Soni**, department of Electrical Engineering, Techno India NJR Institute of Technology, Udaipur for their support and co-operation.

I would like to place on record my sincere gratitude to my project guide **Dr. Abrar Ahmed Chhipa**, Assistant Professor, Electrical Engineering, Techno India NJR Institute of Technology for the guidance and mentorship throughout the course.

Finally I thank my family, and friends who contributed to the successful fulfilment of this project work.

Abrar Ahmed chhipa

Contents

Abstract	i
Acknowledgement	ii
List of Figures	iv
List of Tables	v
List of Symbols	vi
1 Introduction	1
1.1 first order	1
1.2 xyz	2
1.2.1 second order	2
2 Literature Review	3
2.1 section1	3
2.1.1 title 2	4
3 Results	6
4 Conclusion	8
References	9

List of Figures

2.1	Caption	3
2.2	Autonomous System Hierarchy	4
2.3	The Sine and Cosine waves	5

List of Tables

3.1	test table	7
-----	----------------------	---

List of Symbols

Ω Unit of Resistance

ε' Real part of dielectric constant

c Speed of light

λ Wavelength

δ Delta

Chapter 1

Introduction

Start Writing here your chapter

Nam dui ligula, fringilla a, euismod sodales, sollicitudin vel, wisi. Morbi auctor lorem non justo. Nam lacus libero, pretium at, lobortis vitae, ultricies et, tellus. Donec aliquet, tortor sed accumsan bibendum, erat ligula aliquet magna, vitae ornare odio metus a mi. Morbi ac orci et nisl hendrerit mollis. Suspendisse ut massa. Cras nec ante. Pellentesque a nulla. Cum sociis natoque penatibus et magnis dis parturient montes, nascetur ridiculus mus. Aliquam tincidunt urna. Nulla ullamcorper vestibulum turpis. Pellentesque cursus luctus mauris.

1.1 first order

Nam dui ligula, fringilla a, euismod sodales, sollicitudin vel, wisi. Morbi auctor lorem non justo. Nam lacus libero, pretium at, lobortis vitae, ultricies et, tellus. Donec aliquet, tortor sed accumsan bibendum, erat ligula aliquet magna, vitae ornare odio metus a mi. Morbi ac orci et nisl hendrerit mollis. Suspendisse ut massa. Cras nec ante. Pellentesque a nulla. Cum sociis natoque penatibus et magnis dis parturient montes, nascetur ridiculus mus. Aliquam tincidunt urna. Nulla ullamcorper vestibulum turpis. Pellentesque cursus luctus mauris.

1.2 xyz

1.2.1 second order

Nam dui ligula, fringilla a, euismod sodales, sollicitudin vel, wisi. Morbi auctor lorem non justo. Nam lacus libero, pretium at, lobortis vitae, ultricies et, tellus. Donec aliquet, tortor sed accumsan bibendum, erat ligula aliquet magna, vitae ornare odio metus a mi. Morbi ac orci et nisl hendrerit mollis. Suspendisse ut massa. Cras nec ante. Pellentesque a nulla. Cum sociis natoque penatibus et magnis dis parturient montes, nascetur ridiculus mus. Aliquam tincidunt urna. Nulla ullamcorper vestibulum turpis. Pellentesque cursus luctus mauris.

third order

Nam dui ligula, fringilla a, euismod sodales, sollicitudin vel, wisi. Morbi auctor lorem non justo. Nam lacus libero, pretium at, lobortis vitae, ultricies et, tellus. Donec aliquet, tortor sed accumsan bibendum, erat ligula aliquet magna, vitae ornare odio metus a mi. Morbi ac orci et nisl hendrerit mollis. Suspendisse ut massa. Cras nec ante. Pellentesque a nulla. Cum sociis natoque penatibus et magnis dis parturient montes, nascetur ridiculus mus. Aliquam tincidunt urna. Nulla ullamcorper vestibulum turpis. Pellentesque cursus luctus mauris.

- first
 - second
1. first
 2. second

Chapter 2

Literature Review

Technical writing is writing or drafting technical communication used in technical and occupational fields [1], such as computer hardware and software [5], engineering, chemistry, aeronautics, robotics, finance [6], medical, consumer electronics, biotechnology, and forestry. Technical writing encompasses the largest sub-field in technical communication. See figure 2.2 that shows the autonomous systems in Internet.

2.1 section1

Nam dui ligula, fringilla a, euismod sodales, sollicitudin vel, wisi. Morbi auctor lorem non justo. Nam lacus libero, pretium at, lobortis vitae, ultricies et, tellus. Donec aliquet, tortor sed accumsan bibendum, erat ligula aliquet magna, vitae ornare odio metus a mi. Morbi ac orci et nisl hendrerit mollis. Suspendisse ut massa. Cras nec ante.



Figure 2.1: Caption

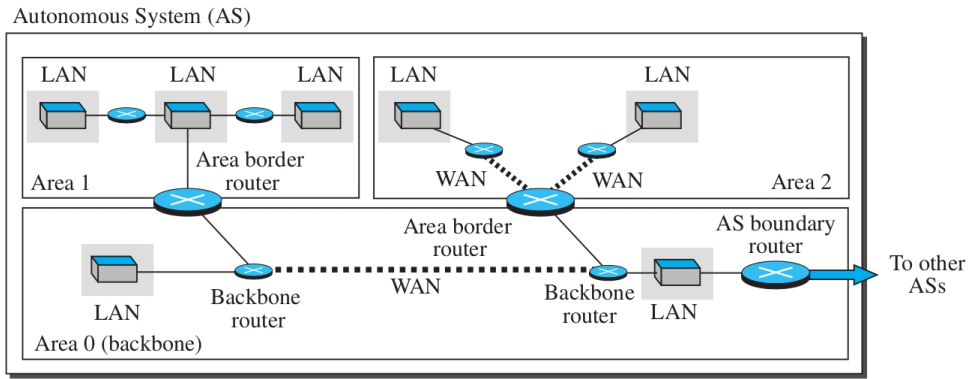


Figure 2.2: Autonomous System Hierarchy

Pellentesque a nulla. Cum sociis natoque penatibus et magnis dis parturient montes, nascetur ridiculus mus. Aliquam tincidunt urna. Nulla ullamcorper vestibulum turpis. Pellentesque cursus luctus mauris.

2.1.1 title 2

Nulla malesuada porttitor diam. Donec felis erat, congue non, volutpat at, tincidunt tristique, libero. Vivamus viverra fermentum felis. Donec nonummy pellentesque ante. Phasellus adipiscing semper elit. Proin fermentum massa ac quam. Sed diam turpis, molestie vitae, placerat a, molestie nec, leo. Maecenas lacinia. Nam ipsum ligula, eleifend at, accumsan nec, suscipit a, ipsum. Morbi blandit ligula feugiat magna. Nunc eleifend consequat lorem. Sed lacinia nulla vitae enim. Pellentesque tincidunt purus vel magna. Integer non enim. Praesent euismod nunc eu purus. Donec bibendum quam in tellus. Nullam cursus pulvinar lectus. Donec et mi. Nam vulputate metus eu enim. Vestibulum pellentesque felis eu massa.

The system is described by the equation 2.1 below. Here y is the ordinate and x is the abscissa, m is the slope and c a constant.

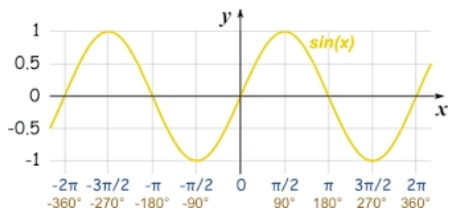
$$y = mx + c \tag{2.1}$$

Page centered and unnumbered multiple equations. The * symbol suppresses equation numbering.

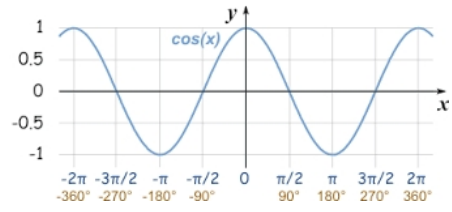
$$2x - 5y = 8$$

$$3x + 9y = -12$$

Side by side figures can be created using this environment. See fig 2.3 below.



(a) Sine Wave



(b) Cosine Wave

Figure 2.3: The Sine and Cosine waves

Chapter 3

Results

Suspendisse vitae elit. Aliquam arcu neque, ornare in, ullamcorper quis, commodo eu, libero. Fusce sagittis erat at erat tristique mollis. Maecenas sapien libero, molestie et, lobortis in, sodales eget, dui. Morbi ultrices rutrum lorem. Nam elementum ullamcorper leo. Morbi dui. Aliquam sagittis. Nunc placerat. Pellentesque tristique sodales est. Maecenas imperdiet lacinia velit. Cras non urna. Morbi eros pede, suscipit ac, varius vel, egestas non, eros. Praesent malesuada, diam id pretium elementum, eros sem dictum tortor, vel consectetur odio sem sed wisi.

Sed feugiat. Cum sociis natoque penatibus et magnis dis parturient montes, nascetur ridiculus mus. Ut pellentesque augue sed urna. Vestibulum diam eros, fringilla et, consectetur eu, nonummy id, sapien. Nullam at lectus. In sagittis ultrices mauris. Curabitur malesuada erat sit amet massa. Fusce blandit. Aliquam erat volutpat. Aliquam euismod. Aenean vel lectus. Nunc imperdiet justo nec dolor.

Etiam euismod. Fusce facilisis lacinia dui. Suspendisse potenti. In mi erat, cursus id, nonummy sed, ullamcorper eget, sapien. Praesent pretium, magna in eleifend egestas, pede pede pretium lorem, quis consectetur tortor sapien facilisis magna. Mauris quis magna varius nulla scelerisque imperdiet. Aliquam non quam. Aliquam porttitor quam a lacus. Praesent vel arcu ut tortor cursus volutpat. In vitae pede quis diam bibendum placerat. Fusce elementum convallis neque. Sed dolor orci, scelerisque ac, dapibus nec, ultricies ut, mi. Duis nec dui quis leo sagittis commodo.

Aliquam lectus. Vivamus leo. Quisque ornare tellus ullamcorper nulla. Mauris porttitor pharetra tortor. Sed fringilla justo sed mauris. Mauris tellus. Sed non leo. Nullam elementum, magna in cursus sodales, augue est scelerisque sapien, venenatis congue nulla arcu et pede. Ut suscipit enim vel sapien. Donec congue. Maecenas urna

mi, suscipit in, placerat ut, vestibulum ut, massa. Fusce ultrices nulla et nisl.

Etiam ac leo a risus tristique nonummy. Donec dignissim tincidunt nulla. Vestibulum rhoncus molestie odio. Sed lobortis, justo et pretium lobortis, mauris turpis condimentum augue, nec ultricies nibh arcu pretium enim. Nunc purus neque, placerat id, imperdiet sed, pellentesque nec, nisl. Vestibulum imperdiet neque non sem accumsan laoreet. In hac habitasse platea dictumst. Etiam condimentum facilisis libero. Suspendisse in elit quis nisl aliquam dapibus. Pellentesque auctor sapien. Sed egestas sapien nec lectus. Pellentesque vel dui vel neque bibendum viverra. Aliquam porttitor nisl nec pede. Proin mattis libero vel turpis. Donec rutrum mauris et libero. Proin euismod porta felis. Nam lobortis, metus quis elementum commodo, nunc lectus elementum mauris, eget vulputate ligula tellus eu neque. Vivamus eu dolor.

Nulla in ipsum. Praesent eros nulla, congue vitae, euismod ut, commodo a, wisi. Pellentesque habitant morbi tristique senectus et netus et malesuada fames ac turpis egestas. Aenean nonummy magna non leo. Sed felis erat, ullamcorper in, dictum non, ultricies ut, lectus. Proin vel arcu a odio lobortis euismod. Vestibulum ante ipsum primis in faucibus orci luctus et ultrices posuere cubilia Curae; Proin ut est. Aliquam odio. Pellentesque massa turpis, cursus eu, euismod nec, tempor congue, nulla. Duis viverra gravida mauris. Cras tincidunt. Curabitur eros ligula, varius ut, pulvinar in, cursus faucibus, augue.

Table 3.1: test table

Sl. No	Item 1	Itm 2
1	37	45
2	42	23
3	47	1
4	52	-21
5	57	-43
6	62	-65
7	67	-87
8	72	-109
9	77	-131
10	82	-153

Chapter 4

Conclusion

Nulla mattis luctus nulla. Duis commodo velit at leo. Aliquam vulputate magna et leo. Nam vestibulum ullamcorper leo. Vestibulum condimentum rutrum mauris. Donec id mauris. Morbi molestie justo et pede. Vivamus eget turpis sed nisl cursus tempor. Curabitur mollis sapien condimentum nunc. In wisi nisl, malesuada at, dignissim sit amet, lobortis in, odio. Aenean consequat arcu a ante. Pellentesque porta elit sit amet orci. Etiam at turpis nec elit ultricies imperdiet. Nulla facilisi. In hac habitasse platea dictumst. Suspendisse viverra aliquam risus. Nullam pede justo, molestie nonummy, scelerisque eu, facilisis vel, arcu.

Curabitur tellus magna, porttitor a, commodo a, commodo in, tortor. Donec interdum. Praesent scelerisque. Maecenas posuere sodales odio. Vivamus metus lacus, varius quis, imperdiet quis, rhoncus a, turpis. Etiam ligula arcu, elementum a, venenatis quis, sollicitudin sed, metus. Donec nunc pede, tincidunt in, venenatis vitae, faucibus vel, nibh. Pellentesque wisi. Nullam malesuada. Morbi ut tellus ut pede tincidunt porta. Lorem ipsum dolor sit amet, consectetur adipiscing elit. Etiam congue neque id dolor.

References

- [1] Abrar Ahmed Chhipa, et al., *Adaptive Neuro-fuzzy Inference System Based Maximum Power Tracking Controller for Variable Speed WECS*, 2021 *Energies*, Vol. 14, No. 19, pp.6275. <https://doi.org/10.3390/en14196275>
- [2] Abrar Ahmed Chhipa, et al., *MPPT optimisation techniques and power electronics for renewable energy systems: wind and solar energy systems*, 2022 *Int. J. Swarm Intelligence (IJSI)*, Vol. 7, No. 2. <https://doi.org/10.1504/IJSI.2021.10041290>
- [3] Abrar Ahmed Chhipa and Vinod Kumar, *DC-Microgrid Voltage Regulation using Dual Active Bridge based SVR*, 2021 *IEEE 7th International Conference on Electrical Energy Systems (ICEES)*, 2021, pp. 490-495, doi: 10.1109/ICEES51510.2021.9383696.
- [4] Abrar Ahmed Chhipa and Vinod Kumar, *Grid-Connected PV System Power Forecasting Using Nonlinear Autoregressive Exogenous Model*, *The 2nd Electric Power and Renewable Energy Conference (EPREC-2021)*, 28-30 May, 2021. (In Process)
- [5] @online Raspberry pi, <https://www.raspberrypi.org/> Online; accessed 10-June-2019
- [6] HU, Yun Chao, et al., *Mobile edge computing? A key technology towards 5G*, ETSI white paper, 2015, vol. 11, no 11, p. 1-16.